

INFCT

INFINITY[®] C Programmable Digital Thermocouple Meter

Operator's Manual



Made in the USA

Y2K
Year 2000
Compliant

N[®] **NEWPORT** Electronics, Inc.

Additional products from

 **NEWPORT** Electronics, Inc.

Counters	Rate Meters
Frequency Meters	Timers
PID Controllers	Totalizers
Clock/Timers	Strain Gauge Meters
Printers	Voltmeters
Process Meters	Multimeters
On/Off Controllers	Soldering Iron Testers
Recorders	pH pens
Relative Humidity	pH Controllers
Transmitters	pH Electrodes
Thermocouples	RTDs
Thermistors	Thermowells
Wire	Flow Sensors

For Immediate Assistance
In the U.S.A. and Canada: 1-800-NEWPORT®
In Mexico: (95) 800-NEWPORTSM
Or call your local NEWPORT Office.

It is the policy of NEWPORT to comply with all worldwide safety and EMC/EMI regulations that apply. NEWPORT is constantly pursuing certification of its products to the European New Approach Directives. NEWPORT will add the CE mark to every appropriate device upon certification.

The information contained in this document is believed to be correct but NEWPORT Electronics, Inc. accepts no liability for any errors it contains, and reserves the right to alter specifications without notice.

WARNING: These products are not designed for use in, and should not be used for, patient connected applications.



This device is marked with the international hazard symbol. It is important to read the Setup Guide before installing or commissioning this device as it contains important information relating to safety and EMC.

Warranty/Disclaimer

NEWPORT ELECTRONICS, INC. warrants this unit to be free of defects in materials and workmanship for a period of one (1) year from date of purchase. In addition to NEWPORT's standard warranty period, NEWPORT ELECTRONICS will extend the warranty period for one (1) additional year if the warranty card enclosed with each instrument is returned to NEWPORT.

If the unit should malfunction, it must be returned to the factory for evaluation. NEWPORT's Customer Service Department will issue an Authorized Return (AR) number immediately upon phone or written request. Upon examination by NEWPORT, if the unit is found to be defective it will be repaired or replaced at no charge. NEWPORT's WARRANTY does not apply to defects resulting from any action of the purchaser, including but not limited to mishandling, improper interfacing, operation outside of design limits, improper repair, or unauthorized modification. This WARRANTY is VOID if the unit shows evidence of having been tampered with or shows evidence of being damaged as a result of excessive corrosion; or current, heat, moisture or vibration; improper specification; misapplication; misuse or other operating conditions outside of NEWPORT's control. Components which wear are not warranted, including but not limited to contact points, fuses, and triacs.

NEWPORT is pleased to offer suggestions on the use of its various products. However, NEWPORT neither assumes responsibility for any omissions or errors nor assumes liability for any damages that result from the use of its products in accordance with information provided by NEWPORT, either verbal or written. NEWPORT warrants only that the parts manufactured by it will be as specified and free of defects. NEWPORT MAKES NO OTHER WARRANTIES OR REPRESENTATIONS OF ANY KIND WHATSOEVER, EXPRESSED OR IMPLIED, EXCEPT THAT OF TITLE, AND ALL IMPLIED WARRANTIES INCLUDING ANY WARRANTY OF MERCHANTABILITY AND FITNESS FOR A PARTICULAR PURPOSE ARE HEREBY DISCLAIMED. LIMITATION OF LIABILITY: The remedies of purchaser set forth herein are exclusive and the total liability of NEWPORT with respect to this order, whether based on contract, warranty, negligence, indemnification, strict liability or otherwise, shall not exceed the purchase price of the component upon which liability is based. In no event shall NEWPORT be liable for consequential, incidental or special damages.

CONDITIONS: Equipment sold by NEWPORT is not intended to be used, nor shall it be used: (1) as a "Basic Component" under 10 CFR 21 (NRC), used in or with any nuclear installation or activity; or (2) in medical applications or used on humans. Should any Product(s) be used in or with any nuclear installation or activity, medical application, used on humans, or misused in any way, NEWPORT assumes no responsibility as set forth in our basic WARRANTY/DISCLAIMER language, and additionally, purchaser will indemnify NEWPORT and hold NEWPORT harmless from any liability or damage whatsoever arising out of the use of the Product(s) in such a manner.

Return Requests/Inquiries

Direct all warranty and repair requests/inquiries to the NEWPORT Customer Service Department. BEFORE RETURNING ANY PRODUCT(S) TO NEWPORT, PURCHASER MUST OBTAIN AN AUTHORIZED RETURN (AR) NUMBER FROM NEWPORT'S CUSTOMER SERVICE DEPARTMENT (IN ORDER TO AVOID PROCESSING DELAYS). The assigned AR number should then be marked on the outside of the return package and on any correspondence.

The purchaser is responsible for shipping charges, freight, insurance and proper packaging to prevent breakage in transit.

FOR **WARRANTY** RETURNS, please have the following information available BEFORE contacting NEWPORT:

1. P.O. number under which the product was PURCHASED,
2. Model and serial number of the product under warranty, and
3. Repair instructions and/or specific problems relative to the product.

FOR **NON-WARRANTY** REPAIRS, consult NEWPORT for current repair charges. Have the following information available BEFORE contacting NEWPORT:

1. P.O. number to cover the COST of the repair,
2. Model and serial number of product, and
3. Repair instructions and/or specific problems relative to the product.

NEWPORT's policy is to make running changes, not model changes, whenever an improvement is possible. This affords our customers the latest in technology and engineering.

NEWPORT is a registered trademark of NEWPORT ELECTRONICS, INC.

© Copyright 1998 NEWPORT ELECTRONICS, INC. All rights reserved. This document may not be copied, photocopied, reproduced, translated, or reduced to any electronic medium or machine-readable form, in whole or in part, without prior written consent of NEWPORT ELECTRONICS, INC.

TRADEMARK NOTICE:

  **NEWPORT**,  **NEWPORT**,   **INFINITY**, and **INFINITY** are trademarks of NEWPORT Electronics, Inc.

PATENT NOTICE: This product is covered by one or more of the following patents: U.S. No. D336,895; 5,274,577/ Canada 2,052,600/ Italy 1,249,456; 1,250,938/ Germany DE4134398C2/ Spain 2,039,150; 9,102,259/ UK 2,249,837; 2,248,954/ France Brevet No. 91 12756. The bezel design is a trademark of NEWPORT Electronics, Inc.

For immediate technical or application assistance please call:

1-800-6397678®
1-800-NEWPORT

Newport Electronics, Inc.

2229 South Yale Street • Santa Ana, CA • 92704-4426 • U.S.A.

TEL: (714) 540-4914 • FAX: (714) 546-3022

Toll Free: 1-800-639-7678 • e-mail: info@newportinc.com

Newport Technologies, Inc.

976 Bergar • Laval (Quebec) • H7L 5A1 • Canada

TEL: (514) 335-3183 • FAX: (514) 856-6886

Toll Free: 1-800-639-7678 • e-mail: info@newport.qc.ca

Newport Electronics, Ltd.

One Omega Drive • River Bend Technology Centre

Northbank, Irlam, • Manchester, M44 5EX, England

Tel: 44 (161) 777-6611 • FAX: 44 (161) 777-6622

Toll Free: 0800-488-488 • e-mail: info@newportinc.co.uk

Newport Electronics B.V.

Postbus 8034 • 1180 LA Amstelveen • The Netherlands

TEL: (31) 20 6418405 • FAX: (31) 20 6434643

Toll Free: 0800 0993344 • e-mail: nl@newportinc.com

Newport Electronics spol s.r.o.

ul. Rude armady 1868, 733 01 Karvina-Hranice • Czech Republic

TEL: 420 (69) 6311899 • FAX: 420 (69) 6311114

Toll Free: 0800-1-666432 • e-mail: info@newport.cz

Newport Electronics GmbH

Daimlerstrasse 26 • D-75392 Deckenpfronn • Germany

TEL: 49 (07056) 3017 • FAX: 49 (07056) 8540

Toll Free: 0130 11 21 66 • e-mail: info@newport.ge

Newport Electronique S.A.R.L.

9, rue Denis Papin • 78190 Trappes • France

TEL: (33) 130-621-400 • FAX: (33) 130-699-120

Toll Free: 0800-4-63978 • e-mail: france@newportinc.com

Mexico and Latin America

TEL: 95-800-639-7678 • FAX: 95-203-359-7807

En Español: (203) 359-7803 • e-mail: espanol@newportinc.com

<p>NEWPORTnetSM On-Line Service http://www.newportinc.com</p>	<p>Internet e-mail info@newportinc.com</p>
---	--



NEWPORT Electronics, Inc.



Made in the USA

Y2K
Year 2000
Compliant



User's Guide



<http://www.omega.com>
e-mail: info@omega.com

DP25-TC
Programmable Digital
Thermocouple Meter

Where Do I Find Everything I Need for Process Measurement and Control? OMEGA Of Course!

TEMPERATURE

- ☑ Thermocouple, RTD & Thermistor Probes, Connectors, Panels & Assemblies
- ☑ Wire: Thermocouple, RTD & Thermistor
- ☑ Calibrators & Ice Point References
- ☑ Recorders, Controllers & Process Monitors
- ☑ Infrared Pyrometers

PRESSURE, STRAIN AND FORCE

- ☑ Transducers & Strain Gauges
- ☑ Load Cells & Pressure Gauges
- ☑ Displacement Transducers
- ☑ Instrumentation & Accessories

FLOW/LEVEL

- ☑ Rotameters, Gas Mass Flowmeters & Flow Computers
- ☑ Air Velocity Indicators
- ☑ Turbine/Paddlewheel Systems
- ☑ Totalizers & Batch Controllers

pH/CONDUCTIVITY

- ☑ pH Electrodes, Testers & Accessories
- ☑ Benchtop/Laboratory Meters
- ☑ Controllers, Calibrators, Simulators & Pumps
- ☑ Industrial pH & Conductivity Equipment

DATA ACQUISITION

- ☑ Data Acquisition & Engineering Software
- ☑ Communications-Based Acquisition Systems
- ☑ Plug-in Cards for Apple, IBM & Compatibles
- ☑ Datalogging Systems
- ☑ Recorders, Printers & Plotters

HEATERS

- ☑ Heating Cable
- ☑ Cartridge & Strip Heaters
- ☑ Immersion & Band Heaters
- ☑ Flexible Heaters
- ☑ Laboratory Heaters

ENVIRONMENTAL MONITORING AND CONTROL

- ☑ Metering & Control Instrumentation
- ☑ Refractometers
- ☑ Pumps & Tubing
- ☑ Air, Soil & Water Monitors
- ☑ Industrial Water & Wastewater Treatment
- ☑ pH, Conductivity & Dissolved Oxygen Instruments



WARRANTY/DISCLAIMER

OMEGA ENGINEERING, INC. warrants this unit to be free of defects in materials and workmanship for a period of **13 months** from date of purchase. OMEGA Warranty adds an additional one (1) month grace period to the normal **one (1) year product warranty** to cover handling and shipping time. This ensures that OMEGA's customers receive maximum coverage on each product.

If the unit should malfunction, it must be returned to the factory for evaluation. OMEGA's Customer Service Department will issue an Authorized Return (AR) number immediately upon phone or written request. Upon examination by OMEGA, if the unit is found to be defective it will be repaired or replaced at no charge. OMEGA's WARRANTY does not apply to defects resulting from any action of the purchaser, including but not limited to mishandling, improper interfacing, operation outside of design limits, improper repair, or unauthorized modification. This WARRANTY is VOID if the unit shows evidence of having been tampered with or shows evidence of being damaged as a result of excessive corrosion; or current, heat, moisture or vibration; improper specification; misapplication; misuse or other operating conditions outside of OMEGA's control. Components which wear are not warranted, including but not limited to contact points, fuses, and triacs.

OMEGA is pleased to offer suggestions on the use of its various products. However, OMEGA neither assumes responsibility for any omissions or errors nor assumes liability for any damages that result from the use of its products in accordance with information provided by OMEGA, either verbal or written. OMEGA warrants only that the parts manufactured by it will be as specified and free of defects. OMEGA MAKES NO OTHER WARRANTIES OR REPRESENTATIONS OF ANY KIND WHATSOEVER, EXPRESSED OR IMPLIED, EXCEPT THAT OF TITLE, AND ALL IMPLIED WARRANTIES INCLUDING ANY WARRANTY OF MERCHANTABILITY AND FITNESS FOR A PARTICULAR PURPOSE ARE HEREBY DISCLAIMED. LIMITATION OF LIABILITY: The remedies of purchaser set forth herein are exclusive and the total liability of OMEGA with respect to this order, whether based on contract, warranty, negligence, indemnification, strict liability or otherwise, shall not exceed the purchase price of the component upon which liability is based. In no event shall OMEGA be liable for consequential, incidental or special damages.

CONDITIONS: Equipment sold by OMEGA is not intended to be used, nor shall it be used: (1) as a "Basic Component" under 10 CFR 21 (NRC), used in or with any nuclear installation or activity; or (2) in medical applications or used on humans. Should any Product(s) be used in or with any nuclear installation or activity, medical application, used on humans, or misused in any way, OMEGA assumes no responsibility as set forth in our basic WARRANTY/DISCLAIMER language, and additionally, purchaser will indemnify OMEGA and hold OMEGA harmless from any liability or damage whatsoever arising out of the use of the Product(s) in such a manner.

RETURN REQUESTS / INQUIRIES

Direct all warranty and repair requests/inquiries to the OMEGA Customer Service Department. BEFORE RETURNING ANY PRODUCT(S) TO OMEGA, PURCHASER MUST OBTAIN AN AUTHORIZED RETURN (AR) NUMBER FROM OMEGA'S CUSTOMER SERVICE DEPARTMENT (IN ORDER TO AVOID PROCESSING DELAYS). The assigned AR number should then be marked on the outside of the return package and on any correspondence.

The purchaser is responsible for shipping charges, freight, insurance and proper packaging to prevent breakage in transit.

FOR **WARRANTY** RETURNS, please have the following information available BEFORE contacting OMEGA:

1. P.O. number under which the product was PURCHASED,
2. Model and serial number of the product under warranty, and
3. Repair instructions and/or specific problems relative to the product.

FOR **NON-WARRANTY** REPAIRS, consult OMEGA for current repair charges. Have the following information available BEFORE contacting OMEGA:

1. P.O. number to cover the COST of the repair,
2. Model and serial number of product, and
3. Repair instructions and/or specific problems relative to the product.

OMEGA's policy is to make running changes, not model changes, whenever an improvement is possible. This affords our customers the latest in technology and engineering.

OMEGA is a registered trademark of OMEGA ENGINEERING, INC.

© Copyright 1998 OMEGA ENGINEERING, INC. All rights reserved. This document may not be copied, photocopied, reproduced, translated, or reduced to any electronic medium or machine-readable form, in whole or in part, without prior written consent of OMEGA ENGINEERING, INC.

PATENT NOTICE: The "Meter Case Bezel Design" is a trademark of NEWPORT Electronics, Inc., registered in the U.S. USED UNDER LICENSE. This product is covered by one or more of the following patents: U.S. No. D336,895; 5,274,577/ FRANCE BREVET No. 91 12756/ UK PATENT No. 2,248,954; 2,249,837/ SPAIN 2,039,150; 9,102,259/ ITALY 1,249,456; 1,250,938/ CANADA 2,052,600/ GERMANY DE 4134398C2. OTHER INTERNATIONAL PATENTS PENDING.



OMEGAnetSM On-Line Service
<http://www.omega.com>

Internet e-mail
info@omega.com

Servicing North America:

USA:
ISO 9001 Certified

One Omega Drive, Box 4047
Stamford, CT 06907-0047
Tel: (203) 359-1660
e-mail: info@omega.com
FAX: (203) 359-7700

Canada:

976 Bergar
Laval (Quebec) H7L 5A1
Tel: (514) 856-6928
e-mail: info@omega.ca
FAX: (514) 856-6886

For immediate technical or application assistance:

USA and Canada:

Sales Service: 1-800-826-6342 / 1-800-TC-OMEGASM
Customer Service: 1-800-622-2378 / 1-800-622-BESTSM
Engineering Service: 1-800-872-9436 / 1-800-USA-WHENSM
TELEX: 996404 EASYLINK: 62968934 CABLE: OMEGA

**Mexico and
Latin America:**

Tel: (95) 800-TC-OMEGASM
En Español: (203) 359-7803
FAX: (95) 203-359-7807
e-mail: espanol@omega.com

Servicing Europe:

Benelux:

Postbus 8034, 1180 LA Amstelveen, The Netherlands
Tel: (31) 20 6418405
Toll Free in Benelux: 0800 0993344
e-mail: nl@omega.com
FAX: (31) 20 6434643

Czech Republic:

ul.Rude armady 1868, 733 01 Karvina - Hranice
Tel: 420 (69) 6311899
e-mail: czech@omega.com
FAX: 420 (69) 6311114

France:

9, rue Denis Papin, 78190 Trappes
Tel: (33) 130-621-400
Toll Free in France: 0800-4-06342
e-mail: france@omega.com
FAX: (33) 130-699-120

Germany/Austria:

Daimlerstrasse 26, D-75392 Deckenpfronn, Germany
Tel: 49 (07056) 3017
Toll Free in Germany: 0130 11 21 66
e-mail: germany@omega.com
FAX: 49 (07056) 8540

United Kingdom:

ISO 9002 Certified

One Omega Drive,
River Bend Technology Centre
Northbank, Irlam,
Manchester, M44 5EX, England
Tel: 44 (161) 777-6611
Toll Free in England: 0800-488-488
e-mail: uk@omega.com
FAX: 44 (161) 777-6622

It is the policy of OMEGA to comply with all worldwide safety and EMC/EMI regulations that apply. OMEGA is constantly pursuing certification of its products to the European New Approach Directives. OMEGA will add the CE mark to every appropriate device upon certification.

The information contained in this document is believed to be correct but OMEGA Engineering, Inc. accepts no liability for any errors it contains, and reserves the right to alter specifications without notice.

WARNING: These products are not designed for use in, and should not be used for, patient connected applications.



This device is marked with the international hazard symbol. It is important to read the Setup Guide before installing or commissioning this device as it contains important information relating to safety and EMC.

Addendum to the Manual of "INFCT"

ADDENDUM

INFINITY C Programmable Digital Thermocouple Controller

These changes
are the result of
the Rev.-03

micro controller software enhancements.

Menu items for analog output or dual relay options will not be displayed if the option(s) are not installed in the meter.

I. 5.1 FRONT OF THE METER (**CONTINUED**)

(Add to the end of the **SETPTS BUTTON** - section)

NOTE: If the dual relay option is not installed, pressing the setpts button will display "**V.-03**" which is the meter's software version.

II. AUTOMATIC DECIMAL POINT ADJUST:

If you select 0.1 degree resolution, decimal point automatically adjust itself to 1 degree if the temperature reading is larger than 999.9 or less than -199.9.

III. SECTION 17. MANUAL RESET ("**M.RST**"):

Always choose the value of "**M.RST**" less than "**P.BND/2**". Meter will not accept larger values and displays with flashing "**ER 4**".

IV. SECTION 20. TUNING PROPORTIONAL CONTROLLER ("**TUNE**"):

Please allow enough time for the meter to settle before proceeding with "**TUNE**" procedure. If any error happens during this procedure, meter will flash "**ER 4**" and abort the tuning. You have to restart the procedure.

V. SECTION 19. LOCKOUT CONFIGURATION ("**LK.CF**")

19.3 TO ENABLE DISPLAYS PROGRAM VERSION:

1. Press the ►/DEV button. The meter shows one of the following:
 - * "L.3=0" "**SETPTS**" button will display setpoint values.
 - * "L.3=1" "**SETPTS**" button will display "**V.-03**" which is the meter's current software version.

(TURN PAGE)

2. Press the **▲/MAX** button to toggle between the choices above.
3. Press the **MENU** button to store the changes.

NOTE: If your meter does not have the relay option, setpoint menu items above will not be available and **SETPTS** button will always display the meter's software version. These units will have **+OL** (overload) or **+OPEN** memory indicated by Alarm 1 & 2 LED displays. LEDs can be reset by pressing **MENU** then **RESET** button or by power **OFF** then **ON**. These units can not use analog output proportional to error from setpoint 1. under menu OT.CF, 0.3=P.

VI. SECTION 18A. COLD JUNCTION OFFSET CALIBRATION ("**CJ.OF**")

A new procedure is used. this will replace section 19 of the manual. The cold junction offset equals the actual temperature minus the reading temperature. You may compensate for any error due to cold junction on the **TC** input. You may perform this compensation in any temperature from 0°C to 40°C (or 32°F to 104°F), however we recommend you perform this compensation at 0°C (32°F) for best result. To do this, immerse the thermocouple hot junctions into a mixture of ice and water.

TO PERFORM THIS COMPENSATION, FOLLOW THESE STEPS:

1. Connect the thermocouple wire to the $\pm S$ input.
2. Press the **MENU** button until meter displays "**CJ.OF**".
3. Press the **DEV** button. The meter displays the previous offset value with flashing 4th digit.
4. Press the **DEV** button again. Reading temperature will be displayed (with no digit flashing).
- 5.A. If the value is okay, then press the **MENU** button. Display will show "**STRD**" and 0 value will be entered at the offset.

B. If the value is not okay, then enter the actual temperature using the **DEV** and **MAX** buttons. Once you enter the accurate temperature, press the **MENU** button. The meter displays "**STRD**" and stores the offset value.

NOTE: 1. Temperature unit is either celcius or fahrenheit and will always be displayed at 0.1 degree resolution. The meter flashes corresponding LED.

2. *MAX/MIN offset value will be ± 25.0 °C or 45.0 °F. If offset the limit, the meter will flash "**ER 3**" and previous offset will not be changed.*

Table of Contents

Section		Page
SEC 1	INTRODUCTION	1
1.1	Description	1
1.2	Standard Features	1
1.3	Optional Features	1
SEC 2	NOTES, WARNINGS and CAUTIONS	2
SEC 3	UNPACKING	3
SEC 4	SAFETY CONSIDERATIONS	4
SEC 5	PARTS OF THE METER	5
5.1	Front of the Meter	5
5.2	Rear of the Meter	8
SEC 6	SETUP	10
6.1	Conditions Requiring Disassembly	10
6.2	Disassembly	10
6.3	Rating/Product Label	10
6.4	Main Board Power Jumpers	10
6.5	Panel Mounting	14
SEC 7	SENSOR INPUT AND MAIN POWER CONNECTIONS	15
7.1	Sensor Input Connections	15
7.2	Main Power Connections	15
7.3	Analog and Relay Output Connections	17
SEC 8	INPUT TYPE (INPT)	18
SEC 9	DECIMAL POINT POSITION (DEC.P)	20
SEC 10	READING CONFIGURATION ("RD.CF")	21

Table of Contents

Section		Page
SEC 11	SETPOINT 1 CONFIGURATION (S1.CF)	22
SEC 12	SETPOINT 2 CONFIGURATION (S2.CF)	23
SEC 13	SETPOINT 1 DEADBAND (S1.DB)	24
SEC 14	SETPOINT 2 DEADBAND (S2.DB)	25
SEC 15	OUTPUT CONFIGURATION (OT.CF)	26
15.1	To Enable/Disable the Analog Output	26
15.2	To Select Analog Output as Current or Voltage	26
15.3	To Select Analog Output or Proportional Control	27
SEC 16	PROPORTIONAL BAND (P.BND)	28
SEC 17	MANUAL RESET (M.RST)	30
SEC 18	OUTPUT SCALE AND OFFSET (OT.S.O)	31
SEC 19	COLD JUNCTION OFFSET CALIBRATION (C.J.OF)	33
SEC 20	LOCK OUT CONFIGURATION (LK.CF)	34
SEC 21	TUNING PROPORTIONAL CONTROLLER	36
SEC 22	DISPLAY MESSAGES	37
SEC 23	MENU CONFIGURATION	38
SEC 24	SETPOINT CONFIGURATION DISPLAYS	42
SEC 25	SPECIFICATIONS	43
SEC 26	FACTORY PRESET VALUES	47

List of Figures

Figure		Page
5-1	Front-Panel Illustration	5
5-2a	Connector Label AC Power	8
5-2b	Connector Label DC Power	8
6-1	Main Board Power Jumpers (W1, W2, W3)	11
6-2	Main Board Jumper Positions (6 S2 Pins)	11
6-3	Meter - Exploded View	14
6-4	Panel Cutout	14
7-1	Sensor Input Connection	15
7-2	Main Power Connections - AC	15
7-3	Main Power Connections - DC	16
7-4	Analog Output Connections	17
7-5	Relay Output Connections	17
7-6	Isolated Analog Output Connections	18
7-7	Isolated Analog Output Upper Board Installation	18
16-1	Proportional Band	27
25-1	Meter Dimensions	44

List of Tables

Table		Page
5-1	Front-Panel Part Description	6
5-2	Rear Connector Description	9
6-1	Jumper Functions	12
7-1	AC Power Connections	16
22-1	Display Messages	37
23-1	Configuration Menu	38
23-2	Run Mode Displays	41
24-1	Setpoint Configuration Displays	42
26-1	Factory Preset Values	47

SECTION 1. INTRODUCTION

1.1 DESCRIPTION

The Programmable Thermocouple Meter is a value packed indicator/controller. Four full digits allow for an accurate display of your temperature. Your meter may be a basic indicator or it may include analog output or dual relay output. Analog output is fully scalable and may be configured as a proportional controller, or to follow your display. Dual 5 amp, form C relays control critical processes. Front panel peak detection and memory is also standard. A mechanical lockout has been included to guard against unauthorized changes.

1.2 STANDARD FEATURES

The following is a list of features:

- * 4-digit red 14 segment LED display
- * ± 0.5 °C accuracy
- * J, K, DIN J or TC thermocouple types
- * Peak detection and memory
- * Non-volatile memory-no battery backup
- * 115 or 230 V ac 50/60 Hz power supply

1.3 OPTIONAL FEATURES


- * Dual 5 amp, form C relay outputs
- * Scalable analog output
- * Proportional control
- * Front-panel deviation correction
- * Easy setup for proportional control

SECTION 2. NOTES, WARNINGS and CAUTIONS

Information that is especially important to note is identified by three labels:

- **NOTE**
- **WARNING**
- **CAUTION**
- **IMPORTANT**

 **NOTE:** provides you with information that is important to successfully setup and use the Programmable Digital Meter.

 **CAUTION or WARNING:** tells you about the risk of electric shock.

 **CAUTION, WARNING or IMPORTANT:** tells you of circumstances or practices that can effect the meter's functionality and must refer to accompanying documents.

SECTION 3. UNPACKING

Remove the Packing List and verify that all equipment has been received. If there are any questions about the shipment, use the phone numbers listed on the back cover to contact the Customer Service Department nearest you.

Upon receipt of shipment, inspect the container and equipment for any signs of damage. Take particular note of any evidence of rough handling in transit. Immediately report any damage to the shipping agent.

Note

The carrier will not honor any claims unless all shipping material is saved for their examination. After examining and removing contents, save packing material and carton in the event reshipment is necessary.

Verify that you receive the following items in the shipping box:

QTY	DESCRIPTION
1	Programmable indicator/ controller with all applicable connectors attached.
1	Owner's Manual
1	Set Mounting brackets

Note: *If you ordered any of the available options (except the "BL" blank Lens option), they will be shipped in a separate container to avoid any damage to your indicator/controller.*

SECTION 4. SAFETY CONSIDERATIONS



This device is marked with the international Caution symbol. It is important to read this manual before installing or commissioning this device as it contains important information relating to Safety and EMC (Electromagnetic Compatibility).

Unpacking & Inspection



Unpack the instrument and inspect for obvious shipping damage. Do not attempt to operate the unit if damage is found.

This instrument is a panel mount device protected in accordance with Class I of EN 61010 (115/230 AC power connections). Installation of this instrument should be done by Qualified personnel. In order to ensure safe operation, the following instructions should be followed.

This instrument has no power-on switch. An external switch or circuit-breaker shall be included in the building installation as a disconnecting device. It shall be marked to indicate this function, and it shall be in close proximity to the equipment within easy reach of the operator. The switch or circuit-breaker shall not interrupt the Protective Conductor (Earth wire), and it shall meet the relevant requirements of IEC 947-1 and IEC 947-3 (International Electrotechnical Commission). The switch shall not be incorporated in the mains supply cord.

Furthermore, to provide protection against excessive energy being drawn from the mains supply in case of a fault in the equipment, an overcurrent protection device shall be installed.



- The **Protective Conductor** must be connected for safety reasons. Check that the power cable has the proper Earth wire, and it is properly connected. It is not safe to operate this unit without the Protective Conductor Terminal connected.



- Do not exceed voltage rating on the label located on the top of the instrument housing.
- Always disconnect power before changing signal and power connections.
- Do not use this instrument on a work bench without its case for safety reasons.
- Do not operate this instrument in flammable or explosive atmospheres.
- Do not expose this instrument to rain or moisture.

EMC Considerations

- Whenever EMC is an issue, always use shielded cables.
- Never run signal and power wires in the same conduit.
- Use signal wire connections with twisted-pair cables.
- Install Ferrite Bead(s) on signal wires close to the instrument if EMC problems persist.

SECTION 5. PARTS OF THE METER

5.1 FRONT OF THE METER

Figure 5-1 shows each part of the front of the meter. Table 5-1 on the next page gives a brief description of each part.

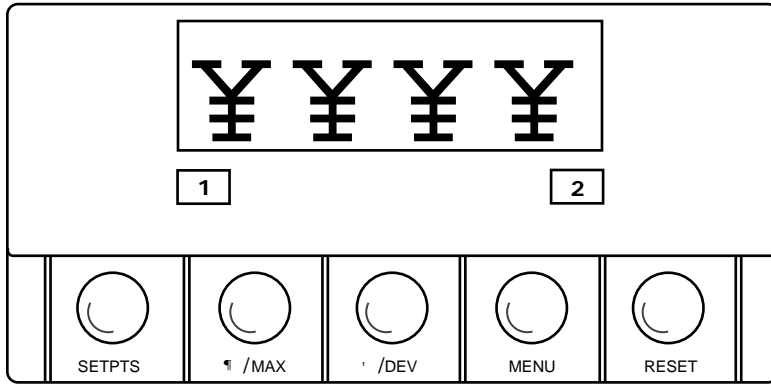



Figure 5-1. Front-Panel Illustration

- 1 - Setpoint 1 Status
- 2 - Setpoint 2 Status

Table 5-1. Front-Panel Part Description

ITEM	DESCRIPTION
1	<p>- 1.9.9.9. or 9.9.9.9. 4-digit 14 segment, 0.54" high LED display with programmable decimal point.</p>
2	<p>SETPOINT LED These LEDs labeled 1 and 2 display the status of setpoints 1 and 2.</p>
3	<p>SETPTS BUTTON This button functions only in the run mode. When the meter is in the run mode, press this button to sequentially recall the previous setpoint settings. After using the ▲/MAX and ►/DEV buttons to alter these settings as desired, press the SETPTS button to store these new values.</p> <p>Unless you press the SETPTS button within 20 seconds to store your input, the meter will scroll to setpoint 2 and retain the last value stored.</p>
<p> Note</p>	<p><i>If the dual relay option is not installed, pressing the SETPTS button will display "V.-03" which is the meter's software version.</i></p>
4	<p>▲/MAX BUTTON During the run mode, press the ▲/MAX button to recall the PEAK reading since the last press of the RESET button. To return to the current readings without resetting the PEAK reading, press the ▲/MAX button. To reset the PEAK reading, press the RESET button.</p> <p>During the configuration mode, use the ▲/MAX button to change the values of the flashing digit shown on the display and/or toggle between menu choices, such as "R.1=F" or "R.1=C".</p> <p>When configuring your setpoint values, press the ▲/MAX button to increment the flashing digit from 0 to 9 by 1's.</p>

ITEM	DESCRIPTION
5	<p>▶/DEV BUTTON During the run mode press the ▶/DEV button to display the deviation from setpoint 1.</p> <p>When configuring your setpoint values, press the ▶/DEV button to scroll to the next digit.</p>
6	<p>MENU BUTTON In the run mode, press the MENU button to terminate the current measuring process and enter you into the configuration mode. (Note: only if you have installed the lockout jumpers on the main board.)</p> <p>In the configuration mode, press the MENU button to store changes in the non-volatile memory and then advance you to the next menu item.</p>
7	<p>RESET BUTTON If you hard reset (press the MENU button followed by the RESET button) or power off/on the meter, it shows "RST", followed by "T/C".</p> <p>In the setpoint mode, press the RESET button to reset the setpoints. The meter shows "SP.RS" and returns to the run mode.</p> <p>In the configuration mode, press the RESET button once to review the previous menu. Press the RESET button twice to perform a hard reset and return to the run mode.</p> <p>In the peak mode, press the RESET button to reset peak value. The meter shows "PK.RS" and return to the run mode.</p> <p><i>When in setpoint or configuration mode, if the meter shows 9999 or -1999 with all flashing digits, the value has overflowed. Press the ▲/MAX button to start a new value.</i></p>



5.2 REAR OF THE METER

Figure 5-2a and 5-2b shows the connector label mounted at the top of the meter housing. Table 5-2 gives a brief description of each connector at the rear of the meter.

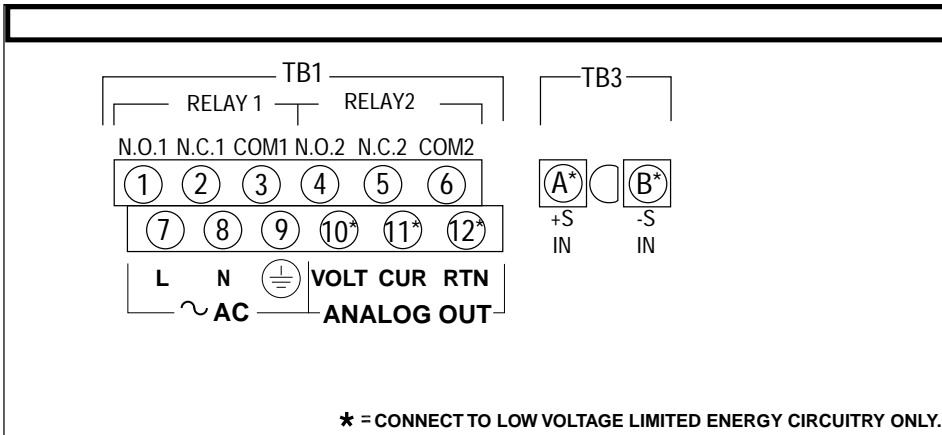


Figure 5-2a. Connector Label (AC Powered)

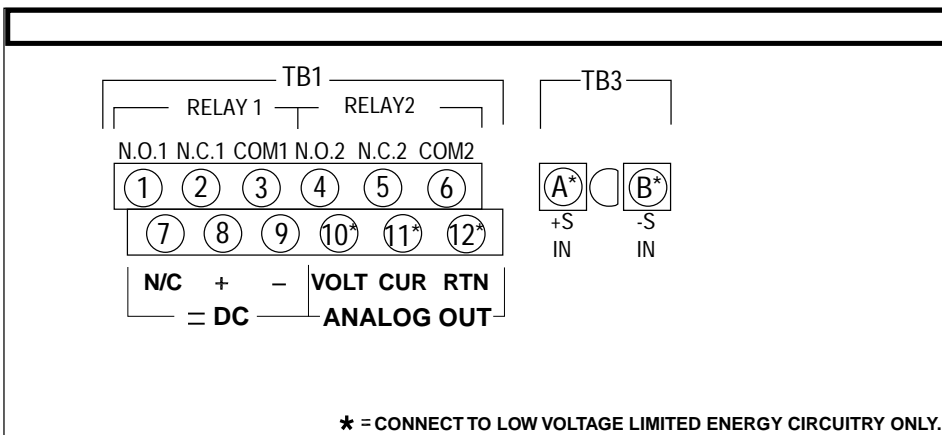


Figure 5-2b. Connector Label (DC Powered)

Table 5-2. Rear Connector Description

CONNECTOR	DESCRIPTION
TB1-1	Setpoint 1: Normally open (N.O.1) connection
TB1-2	Setpoint 1: Normally closed (N.C.1) connection
TB1-3	Setpoint 1: Common (COM1) connection
TB1-4	Setpoint 2: Normally open (N.O.2) connection
TB1-5	Setpoint 2: Normally closed (N.C.2) connection
TB1-6	Setpoint 2: Common (COM2) connection
TB1-7	ac line connection (no connections on dc-powered units)
TB1-8	ac neutral connection (+ Input on dc-powered units)
TB1-9	ac earth ground (dc-power return on dc-powered units)
TB1-10	Analog voltage output
TB1-11	Analog current output
TB1-12	Analog return
TB3-A	+TC: Input
TB3-B	-TC: Input
TB5-1	Isolated Analog Voltage Output
TB5-2	Isolated Analog Current Output
TB5-3	Isolated Analog Output Return
J1 (1-2)	Remote tare connection with a momentary switch.

SECTION 6. SETUP

6.1 CONDITIONS REQUIRING DISASSEMBLY

You may need to open up the meter for one of the following reasons:

- To check or change the 115 or 230 Vac power jumpers.
- To install or remove jumpers on the main board.

6.2 DISASSEMBLY

Note

Disconnect the power supply before proceeding.

To remove and access the main board, follow these steps:

- Disconnect the main power from the meter.
- Remove the back case cover.
- Lift the back of the main board upwards and it slide out of the case.



Caution: The meter has no power-on switch, so it will be in operation as soon you apply power.

If you power off/on the meter, or perform a hard reset (press the **RESET** button twice), the meter shows "**RST**", followed by "**PROC**".

6.3 RATING/PRODUCT LABEL

This label is located on top of the meter housing.

6.4 MAIN BOARD POWER JUMPERS (refer to Figures 6-1 and 6-2)



Important: If you want to change the Factory preset jumpers, do the following steps; otherwise go to section 6.5.

Note

Disconnect the power from the unit before proceeding.

1. Remove the main board from the case. Refer to Section 6.2.
2. Locate the solder jumpers W1, W2, and W3 (located near the edge of the main board alongside the transformer).
3. If your power requirement is **115 V ac**, solder jumpers **W1 and W3 should be wired, but jumper W2 should not.** If your power requirement is **230 V ac**, solder jumper **W2 should be wired, but jumpers W1 and W3 should not.**

6.4 MAIN BOARD POWER JUMPERS (Continued)

Figure 6-1 shows the W1 through W3 jumpers on the main board.

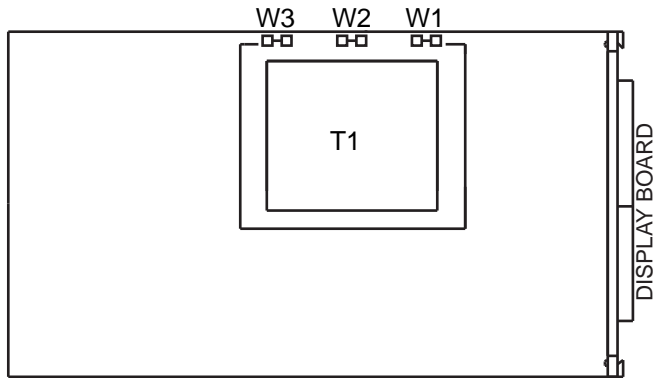


Figure 6-1. Main Board Power Jumpers (W1, W2, W3)

Figure 6-2 shows the main board jumpers.

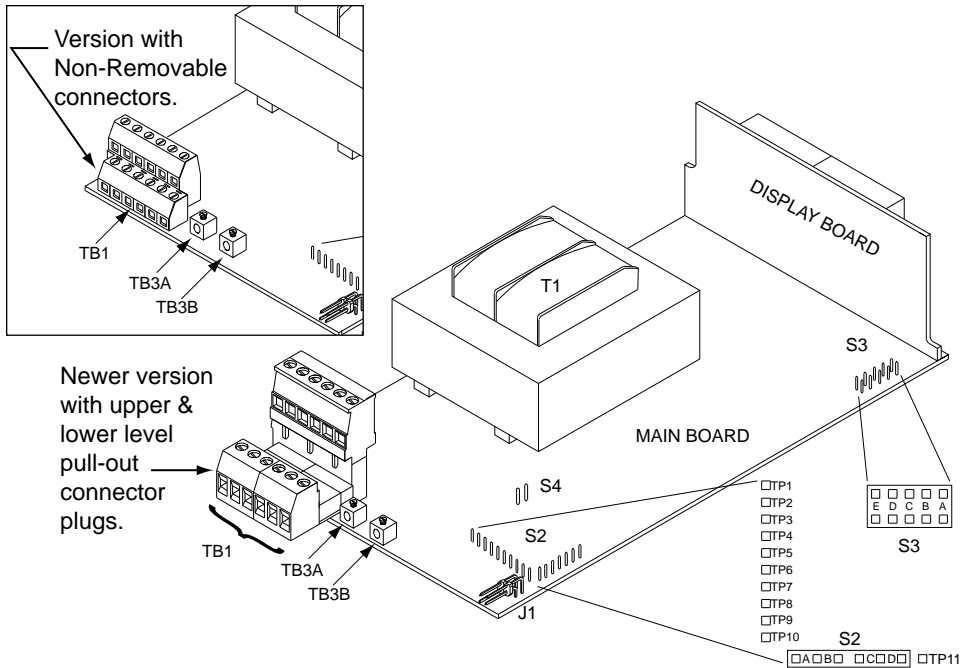


Figure 6-2. Main Board Jumper Positions

6.4 MAIN BOARD POWER JUMPERS (Continued)

S2 jumpers are used for sensor break indications (refer to Table 6-1).

S3 jumpers are used for the following (refer to Table 6-1):

- * To enable or disable the front panel push-buttons
- * To allow for an extremely low resistance load for analog output
- * To disable the **MENU** button
- * To perform calibration procedure

Test pins TP1 - TP11 are for testing purposes. Do not use as reading errors may result.

Table 6-1. Jumper Functions

JUMPER	DESCRIPTION
S2-A	Install for negative sensor break (i.e., refrigeration).
S2-B	Install for positive sensor break (i.e., heating).
S2-C	Removed. Not used.
S2-D	Removed. Not Used.
S3-A	Install to enable front panel push-buttons. Remove to disable all front panel push-buttons
S3-B	Removed. Install for meter calibration.
S3-C	Normally removed. Install for analog voltage output when load has less than 1 K Ω impedance. Care should be taken when installing this jumper.
S3-D	Removed. Not used.
S3-E	If installed without S3-B, the MENU button locks out.
S4-A	Removed. Not used.

6.5 PANEL MOUNTING

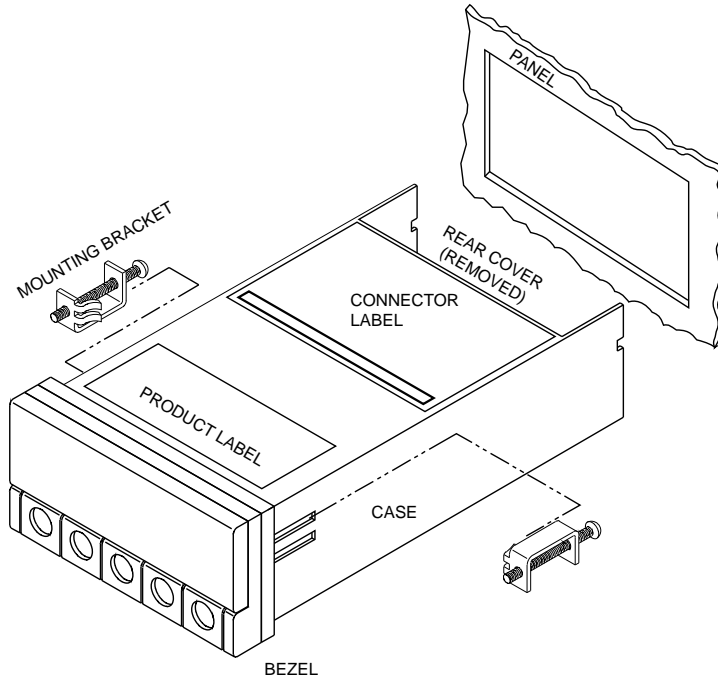
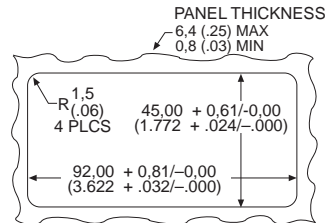


Figure 6-3. Meter - Exploded View

1. Cut a hole in your panel, as shown in Figure 6-4. For specific dimensions refer to Figure 6-4.
2. Insert the meter into the hole.
Be sure the front bezel is flush to the panel.



NOTE: Dimensions in Millimeters (Inches)

Figure 6-4 Panel Cutout

3. Proceed to Section 7 to connect your sensor input and main power.

SECTION 7. SENSOR INPUT/ MAIN POWER CONNECTIONS

7.1 SENSOR INPUT CONNECTIONS

Figures 6-1 through 6-3 describe how to connect your sensors.

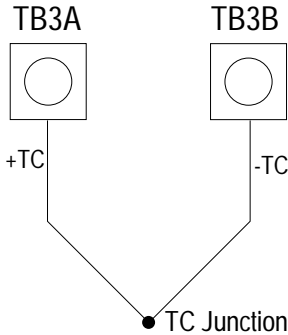


Figure 7-1. Sensor Input Connection

7.2 MAIN POWER CONNECTIONS

Figure 7-2 shows the proper AC power main power connections.



WARNING: Do not connect ac power to your meter until you have completed all input and output connections. Failure to do so may result in injury!

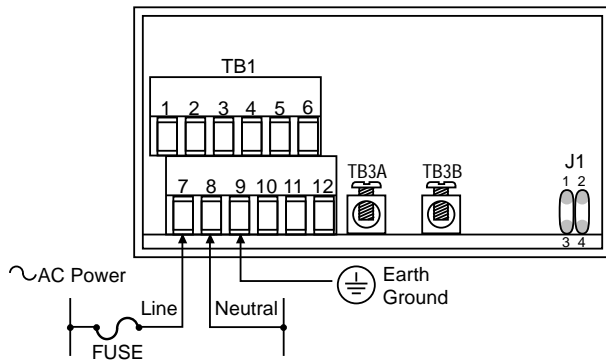


Figure 7-2. Main Power Connections -AC

7.2 MAIN POWER CONNECTIONS (Continued)

Table 7-1 shows the wire color and respective terminal connections for both USA and Europe.

Table 7-1. ac-Power Connections

TB1	AC POWER	WIRE COLORS	
		EUROPE	USA
7	~ ac Line	Brown	Black
8	~ ac Neutral	Blue	White
9	~ ac Earth	Green/Yellow	Green

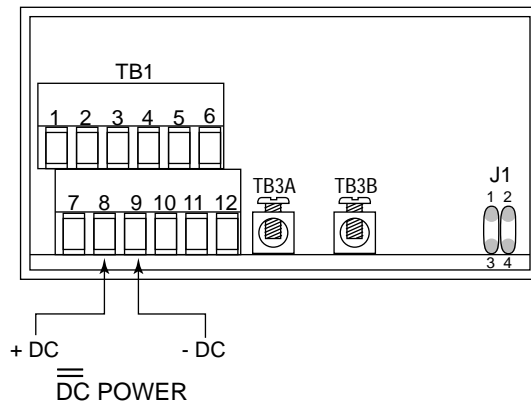


Figure 7-3. Main Power Connections - DC

7.3 ANALOG AND RELAY OUTPUT CONNECTIONS

If you have purchased a meter with analog or dual relay output, refer to the following drawings for output connections.

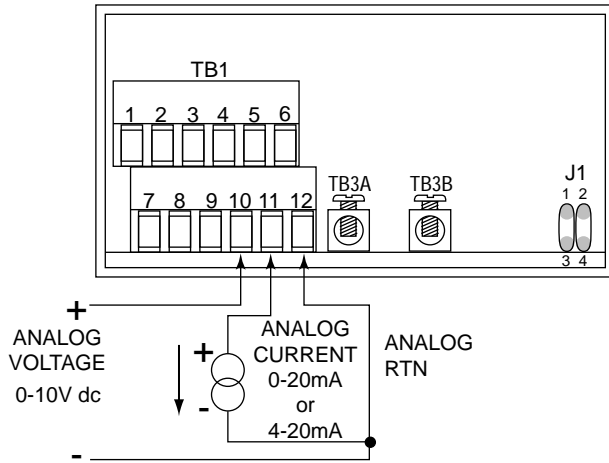


Figure 7-4. Analog Output Connections

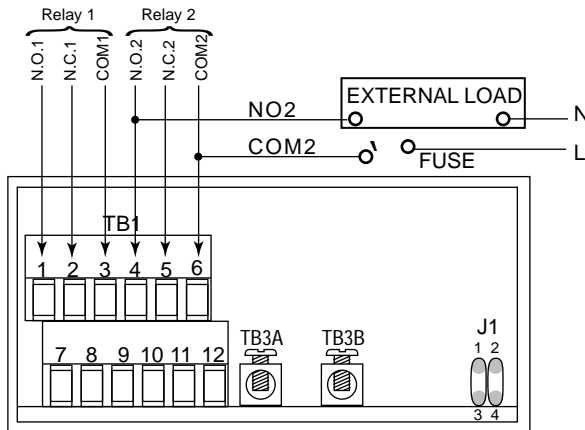


Figure 7-5. Relay Output Connections

7.3 ANALOG AND RELAY OUTPUT CONNECTING (Continued)

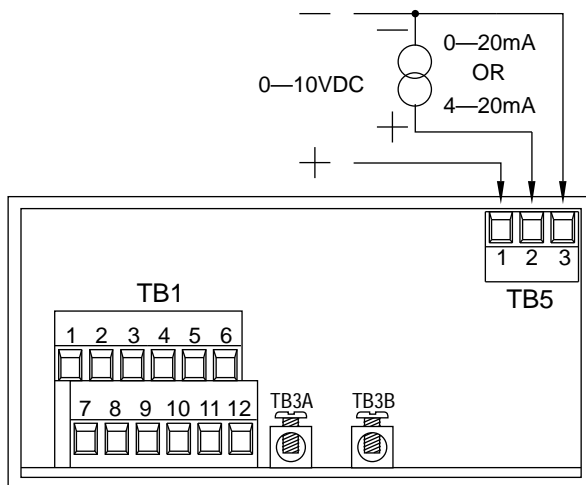


Figure 7-6. Isolated Analog Output Connections.

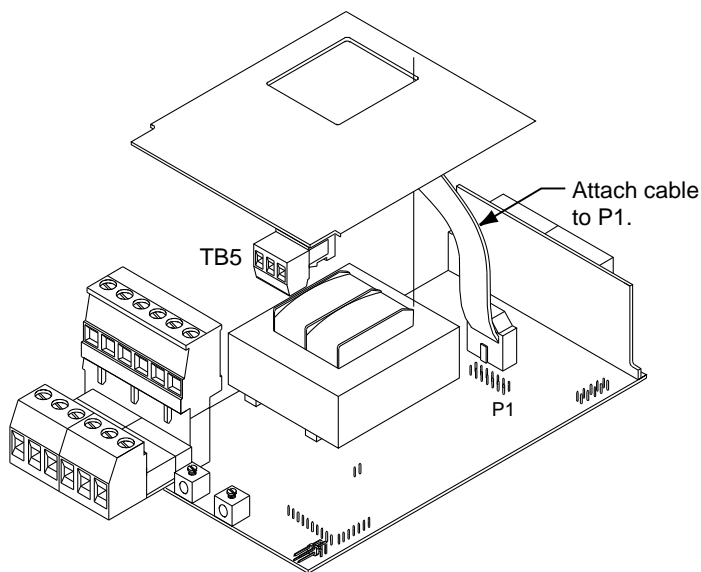


Figure 7-7. Isolated Analog Output Upper Board Installation

SECTION 8. INPUT TYPE (INPT)

Note Refer to Table 23-1 for a summary list of menu configuration.

To select your appropriate input type signal.

1. Press the **MENU** button until the meter shows "INPT" .
2. Press the **▶/DEV** button. The meter shows one of the following:
 - * **J.TC** - Iron vs. Constantan (NIST)
 - * **K.TC** - Nickel-Chromium vs. Nickel-Aluminum (NIST)
 - * **DJ.TC** - Iron vs. Copper (DIN)
 - * **T.TC** - Copper vs. Copper-Nickel
3. Press the **▲/MAX** button to scroll through available choices.
4. Press the **MENU** button to store your choices. The meter momentarily shows "STRD", followed by "DEC.P" (Decimal point).

SECTION 9. DECIMAL POINT POSITION (DEC.P)

Note Refer to Table 23-1 for a summary list of menu configuration.

To select a decimal point display position.

1. Press the **MENU** button until the meter shows "**DEC.P**".
2. Press the **▶/DEV** button. The meter shows one of the following:
 - * **FFFF.**
 - * **FFF.F**
3. Press the **▲/MAX** button to scroll between choices.
4. Press the **MENU** button to store your choices. The meter momentarily shows "**STRD**", followed by "**RD.CF**" (Reading Configuration).

Note *When you change the decimal position the meter adjusts setpoints, deadbands, proportional band, and manual reset values. These adjustments are made according to the new decimal point. If one or more of these values overflow, the meter flashes "ER2" when you store a new decimal point position value.*

AUTOMATIC DECIMAL POINT ADJUST

If you select 0.1 degree resolution the decimal point automatically adjusts itself to 1 degree if the temperature reading is above 999.9 or below -199.9.

SECTION 10. READING CONFIGURATION ("RD.CF")

To determine if your meter shows in °F (Fahrenheit) or °C (Celsius).

1. Press the **MENU** button until the meter shows "**RD.CF**".
2. Press the **▶/DEV** button. The meter shows one of the following:
 - * "R.1=F" (°F)
 - * "R.1=C" (°C)
3. Press the **▲/MAX** button to toggle between choices.
4. Press the **MENU** button to store your selection. The meter momentarily shows "**STRD**", followed by "**S1.CF**" (Setpoint 1 Configuration).

SECTION 11. SETPOINT 1 CONFIGURATION (S1.CF)

Setpoint 1 is not active unless your meter has dual relay output capabilities. The LED's will display whether the (S1.CF) is active or not. You may use Setpoint 1 Configuration (S1.CF) for the following:

- * To set the setpoint's active band above or below your chosen value
 - * To select whether the setpoint operation is latched or unlatched
1. Press the **MENU** button until the meter shows "**S1.CF**".
 2. Press the **▶/DEV** button. The meter shows one of the following:
 - * "S.1=A" (Active above the setpoint)
 - * "S.1=B" (Active below the setpoint)
 3. Press the **▲/MAX** button to toggle between choices.
 4. Press the **▶/DEV** button again. The meter shows one of the following:
 - * "S.2=L" Setpoint 1 to be latched
 - * "S.2=U" Setpoint 1 to be unlatched
 5. Press the **▲/MAX** button to toggle between choices.
 6. Press the **MENU** button to store your choice(s). The meter momentarily shows "**STRD**", followed by "**S2.CF**" (Setpoint 2 Configuration).

SECTION 12. SETPOINT 2 CONFIGURATION (S2.CF)

Setpoint 2 is not active unless your meter has dual relay output capabilities. The LED's will display whether the (S2.CF) is active or not. You may use Setpoint 2 Configuration (S2.CF) for the following:

- * To set the setpoint's active band above or below your chosen value
 - * To select whether the setpoint operation is latched or unlatched
1. Press the **MENU** button until the meter shows "**S2.CF**".
 2. Press the **▶/DEV** button. The meter shows one of the following:
 - * "S.1=A" (Active above the setpoint)
 - * "S.1=B" (Active below the setpoint)
 3. Press the **▲/MAX** button to toggle between choices.
 4. Press the **▶/DEV** button again. The meter shows one of the following:
 - * "S.2=L" Setpoint 1 to be latched
 - * "S.2=U" Setpoint 1 to be unlatched
 5. Press the **▲/MAX** button to toggle between choices.
 6. Press the **MENU** button to store your choices(s). The meter momentarily shows "**STRD**", followed by "**S1.DB**" (Setpoint 1 Deadband).

SECTION 13. SETPOINT 1 DEADBAND (S1.DB)

Setpoint 1 Deadband (**S1.DB**) is not active unless your meter has dual relay output capabilities. The LED's will display whether the (**S1.DB**) is active or not. To set the deadband (hysteresis) of Setpoint 1, follow these steps:

1. Press the **MENU** button until the meter shows "**S1.DB**".
2. Press the **▶/DEV** button. The meter shows the last previously stored 4-digit number (0000 through 9999) with flashing 4th digit.
3. Press the **▲/MAX** button to change the value of the flashing digit. If you continue to press the **▲/MAX** button, the flashing digit's value continues to change.
4. Press the **▶/DEV** button to scroll to the next digit.
5. Press the **MENU** button to store value. The meter momentarily shows "**STRD**", followed by "**S2.DB**" (Setpoint 2 Deadband)

SECTION 14. SETPOINT 2 DEADBAND (S2.DB)

Note

Refer to Table 23-1 for a summary list of menu configuration.

Setpoint 2 Deadband (**S2.DB**) is not active unless your meter has dual relay output capabilities. The LED's will display whether the (**S2.DB**) is active or not. To set the deadband (hysteresis) of Setpoint 2, follow these steps:

1. Press the **MENU** button until the meter shows "**S2.DB**".
2. Press the **▶/DEV** button. The meter shows the last previously stored 4-digit number (0000 through 9999) with flashing 4th digit.
3. Press the **▲/MAX** button to change the value of the flashing digit. If you continue to press the **▲/MAX** button, the flashing digit's value continues to change.
4. Press the **▶/DEV** button to scroll to the next digit.
5. Press the **MENU** button to store your selection. "**STRD**" momentarily displays, followed by cold junction offset if you have a standard meter (refer to Section 19) or "**OT.CF**" (Output Configuration) if you have analog output capabilities (refer to Section 15).

SECTION 15. OUTPUT CONFIGURATION (OT.CF)

Output Configuration is not active unless your meter has analog output capabilities. The menu will display whether analog output is present or not. Use Output Configuration (OT.CF) to select the following:

- * To enable or disable the analog output
- * To determine if the analog output is current or voltage
- * To determine if the analog output is proportional to the display or to the error (the difference between reading and setpoint value)

15.1 To Enable or Disable The Analog Output

1. Press the **MENU** button until the meter shows "**OT.CF**".
2. Press the **▶/DEV** button. The meter shows one of the following:
 - * "O.1=D" (Analog output disabled)
 - * "O.1=E" (Analog output enabled)
3. Press the **▲/MAX** button to toggle between choices.
4. Press the **▶/DEV** button to select analog output as current/voltage **or** press the **MENU** button to store your choice. The meter momentarily shows "**STRD**", followed by "**OT.S.O**" (Output Scale and Offset - refer to Section 18).

15.2 To Select Analog Output as Current or Voltage

1. Press the **▶/DEV** button. The meter shows one of the following:
 - * "O.2=V" (Analog output = voltage)
 - * "O.2=C" (Analog output = current)
2. Press the **▲/MAX** button to toggle between choices.
3. Press the **▶/DEV** button to select analog output/proportional or press the **MENU** button to store your choice. The meter momentarily shows "**STRD**", followed by "**OT.S.O**" (Output Scale and Offset - refer to Section 18) or "**P.BND**" (Proportional Band - refer to Section 16).

15.3 To Select Analog Output or Proportional Control

To determine if the meter is to transmit an analog signal out (proportional to your display), or serve as a proportional controller (proportional to the error = display - setpoint 1).

1. Press the ►/DEV button. The meter shows one of the following:
 - * "O.3=A" (Analog output is retransmission of temperature)
 - * "O.3=P" (Analog output is proportional)
2. Press the ▲/MAX button to toggle between choices.
- 3a. If you select O.3 to equal A, press the MENU button to store your choice. The meter momentarily shows "STRD", followed by "OT.S.O" (Output Scale and Offset- refer to Section 18).
- 3b. If you select O.3 to equal P, press the ►/DEV button. The meter shows one of the following:
 - * "O.4=D" (Proportional analog output is DIRECT ACTING)
 - * "O.4=R" (Proportional analog output is REVERSE ACTING).
4. Press the ▲/MAX button to toggle between choices.
5. Press the MENU button to store your choice. The meter momentarily shows "STRD", followed by "P.BND" (Proportional Band).

Additionally, if you select O.2 to equal V (Analog output to be voltage), press the ►/DEV button. The meter shows one of the following:

- * "O.5=F" (Proportional 0-10 V analog output)
 - * "O.5=H" (Proportional 0-5 V analog output)
6. Press the ▲/MAX button to toggle between choices.
 7. Press the MENU button to store your choice(s). The meter momentarily shows "STRD", followed by "P.BND" (Proportional Band).

SECTION 16. PROPORTIONAL BAND (P.BND)

16.1 SELECTING PROPORTIONAL BAND (P.BND)

Proportional Band (**P.BND**) is not active unless your meter has analog output and relay capabilities. The menu will display whether analog output is present or not.

- A proportional controller's output is linearly proportional to the change of the error signal, whenever the signal is within 2 prescribed values (Proportional Band).
- There are three (3) points of interest on the proportional controller transfer curve.
- The first is the magnitude of the error signal that drives the controller to “full on” (e.g. 20 mA out for 4-20 mA).

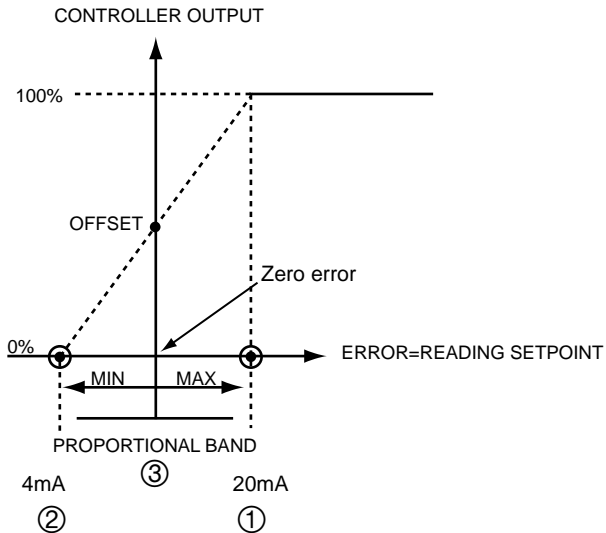


Figure 4-2. Controller Output

- The second point of interest is the magnitude of the error signal that drives the controller output to “full off” (e.g. 4 mA out on 4-20 mA). These two (2) points need not be equally spaced on either side of the zero error point.
- The third is the factor "Offset" and it is the output value of the controller which causes zero error.

The above example illustrates the parameters for the 4-20mA analog out, likewise, analog voltage output will have these (3) points of interest.

SECTION 16. PROPORTIONAL BAND (P.BND) (Continued)

If A is the controller gain the,
Proportional Band = $\frac{\text{Max. out} - \text{Min. out}}{A}$

$$\text{CONTROLLER OUT} = A * \text{ERROR} + \text{OFFSET}$$

To select the proportional band for your proportional controller, follow these steps:

1. Press the **MENU** button until the meter shows "**P.BND**".
2. Press the **▶/DEV** button. The meter shows the last previously stored 4- digit number (0000 through 9999) with flashing 4th digit.
3. Press the **▲/MAX** button to change the value of the flashing digit. If you continue to press the **▲/MAX** button, the flashing digit's value continues to change.
4. Press the **▶/DEV** button to scroll to the next digit.
5. Press the **MENU** button to store your selection. The meter momentarily shows "**STRD**", followed by "**M.RST**" (Manual Reset).

Note

"P.BND" displays only if you select analog output as proportional.

SECTION 17. MANUAL RESET (M.RST)

Manual Reset (**M.RST**) is not active unless your meter has analog output capabilities. The menu will display whether analog output is present or not. This feature allows you to offset the error that may occur within your setpoint. In order to determine the amount of error, you must compare your display value to the setpoint 1 value. The difference between these two values is the amount of error that you may want to enter into Manual Reset (**M.RST**).


1. Press the **MENU** button until the meter shows "**M.RST**".
2. Press the **▶/DEV** button. The meter shows last previously stored 4-digit number (-1999 through 9999) with flashing 4th digit.
3. Press the **▲/MAX** button to change the value of the flashing digit. If you continue to press the **▲/MAX** button, the flashing digit's value continues to change.
4. Press the **▶/DEV** button to scroll to the next digit.
5. Press the **MENU** button to store your selection. The meter momentarily shows "**STRD**", followed also momentarily by "**RST**" (Reset). Then "**CJ.OF**" (Cold Junction Offset) displays (refer to Section 19).

Note


*"M.RST" displays only if you select analog output as proportional.
Always choose the value of "M.RST" less than "P.BND/2".
Meter will not accept larger values and displays with flashing "ER 4".*

SECTION 18. OUTPUT SCALE AND OFFSET (OT.S.O)

Output Scale and Offset (OT.S.O) is not active unless your meter has analog output capabilities. The menu will display whether analog output is present or not. Output Scale and Offset (OT.S.O) scales your analog output to be equal to the meter's display and/or any engineering units you require. You may scale the output for direct (4-20 mA, 0-10 V, etc) or reverse acting (20-4 mA, 10-0 V, etc).

Note  "OT.S.O" only shows if you select analog output as a retransmission of temperature.


1. Press the **MENU** button until the meter shows "OT.S.O" .
2. Press the **▶/DEV** button. The meter shows "RD 1" (Read 1) .

Note  This is your first point of display reading.

3. Press the **▶/DEV** button again. The meter shows the last previously stored 4-digit number (-1999 through 9999) with flashing 4th digit.
4. Press the **▲/MAX** button to change the value of Read 1.
5. Press the **▶/DEV** button to scroll to the next digit.
6. Press the **MENU** button to store your selection. The meter shows "OUT.1" (Output 1).

Note  This starting analog signal corresponds to your Read 1 display.


7. Press the **▶/DEV** button. The meter shows selected output.

Note  If you select "O.2=V" for voltage, the maximum signal you may select is 10.00 for an 0-10 V dc signal output. If you select "O.2=C" for current, the maximum signal you may select is 19.99 for a 0-20 or 4-20 mA dc signal output.

8. Press the **▲/MAX** button to enter the output 1 signal selection. If you continue to press the **▲/MAX** button, the flashing digit's value continues to change.

SECTION 18. OUTPUT SCALE AND OFFSET (OT.S.O) (Continued)


9. Press the ►/DEV button to scroll to the next digit.
10. Press the MENU button to store your selection. The display shows "RD 2" (Read 2).

Note  This is your second point of display reading.

11. Press the ►/DEV button. The last previously stored 4-digit number (-1999 through 9999) displays with flashing 4th digit.
12. Press the ▲/MAX button to change the value of the flashing digit. If you continue to press the ▲/MAX button, the flashing digit's value continues to change.
13. Press the ►/DEV button to scroll to the next digit.
14. Press the MENU button to store your selection. "OUT.2" (Output 2) displays.

Note  This analog signal should correspond to your Read 2 display.

15. Press the ►/DEV button. Selected output displays.

Note  If you select "O.2=V" for voltage, the maximum signal you may select is 10.00 for an 0-10 V dc signal output. If you select "O.2=C" for current, the maximum signal you may select is 19.99 for a 0-20 or 4-20 mA dc signal output.

16. Press the ▲/MAX button to change the value of the flashing digit. If you continue to press the ▲/MAX button, the flashing digit's value continues to change.
17. Press the ►/DEV button to scroll to the next digit.
18. Press the MENU button to store your selection. The meter momentarily shows "STRD", followed also momentarily by "RST" (Hard Reset). "CJ.OF" (Cold Junction Offset) then displays.



WARNING: If the meter displays all flashing values on any item, the value has overflowed. Press the ▲/MAX button to start new values.

SECTION 19. COLD JUNCTION OFFSET CALIBRATION (C.J.OF)

The cold junction offset equals the actual temperature minus the reading temperature. You may compensate for any error due to cold junction on the TC input. You may perform this compensation in any temperature from 0°C to 40°C (or 32°F to 104°F), however we recommend you perform this compensation at 0°C (32°F) for best result. To do this, immerse the thermocouple hot junctions into a mixture of ice and water. Check the Reading Configuration bit R.1 of the "RD.CF" menu setting for the proper temperature units.

TO PERFORM THIS COMPENSATION, FOLLOW THESE STEPS:

1. Connect the thermocouple wire to the +S and -S input.
 2. Press the **MENU** button until meter displays "CJ.OF".
 3. Press the **▶/DEV** button. the meter displays the previous offset value with flashing 4th digit.
 4. Press the **▶/DEV** button again. The reading temperature will be displayed (with no digit flashing).
- 5A. If the value is okay, then press the **MENU** button. The display will show "STRD" and 0 value will be entered at the offset.
- B. If the value is not okay, then enter the actual temperature using the **▶/DEV** and **▲/MAX** buttons. Once you enter the accurate temperature, press the **MENU** button. The meter displays "STRD" and stores the offset value.



1. *Temperature unit is either celsius or fahrenheit and will always be displayed at 0.1 degree resolution. The meter flashes corresponding LED.*



2. *MAX/MIN offset value will be ± 25.0 °C or 45.0 °F. If offset the limit, the meter will flash "ER 3" and previous offset will not be changed.*

SECTION 20. LOCK OUT CONFIGURATION (LK.CF)

Use Lock Out Configuration (LK.CF) for the following:

- * To enable or disable the **RESET** button in the run mode.
- * To enable or disable setpoint changes

20.1 To Enable or Disable the RESET button in the Run Mode

1. Press the **MENU** button until the meter shows "LK.CF" after ("C.J.OF").
2. Press the ►/DEV button until the meter shows "RS.=E" (*Default*).
3. Press the ▲/MAX button to toggle between:
 - "RS.=E" *To enable the RESET button in the run mode (Default).*
 - "RS.=D" To disable the **RESET** button in the run mode.
4. Once desired mode shows, press the **MENU** button to store the change. The meter returns to the run mode.

20.2 To Enable or Disable Setpoint Changes

1. Press the **MENU** button until the meter shows "LK.CF" (after "C.J.OF").
2. Press the ►/DEV button until the meter shows "SP.=E" (*Default*).
3. Press the ▲/MAX button to toggle between:
 - "SP.=E" *To enable setpoint changes (Default).*
 - "SP.=D" To disable setpoint changes
4. Once desired mode shows, press the **MENU** button to store the change.

SECTION 20. LOCK OUT CONFIGURATION (LK.CF) (Continued)

20.3 To Enable Display's Program Version:

1. Press the **MENU** button until the meter shows "LK.CF" (after "C.J.OF").
2. Press the **▶/DEV** button until the meter shows one of the following:
 - * "L.3=0" "SETPTS" button will display setpoint values.
 - * "L.3=1" "SETPTS" button will display "V.-03" which is the meter's current software version.
3. Press the **▲/MAX** button to toggle between the choices above.
4. Press the **MENU** button to store the changes.

A small icon consisting of a dark grey triangle pointing downwards with the word "Note" in white text inside it.

Note

If your meter does not have the relay option, setpoint menu items above will not be available and **SETPTS** button will always display the meter's software version. These units will have **+OL** (overload) or **+OPEN** memory indicated by Alarm 1 & 2 LED displays. LEDs can be reset by pressing **MENU** then **RESET** button or by power **OFF** then **ON**. These units can not use analog output proportional to error from setpoint 1. under menu OT.CF, 0.3=P.

SECTION 21. TUNING PROPORTIONAL CONTROLLER

The Proportional Controller is not active unless your meter has analog output capabilities. The menu will display whether analog output is present or not. This function allows you to tune your controller provided you have analog output capabilities. Select proportional on Output Configuration (refer to Section 15-3) prior to tuning your controller. Include the meter in the process loop and turn on the meter. Allow enough time for the system to settle, then do the following.

1. Press the ►/DEV button. The meter momentarily shows "DEV" followed by a blinking value. This value is the deviation (error) between Reading and Setpoint 1 values. If there is no error (error is zero), your controller is tuned. If a value other than zero shows, proceed with step 2.
2. Press RESET button. The meter shows "TUNE", tuning your controller and canceling any error. Once tuned, the meter shows "RST" and returns to the run mode.

Note

Allow enough time for process to settle before proceeding with "TUNE" procedure. If any error happens during this procedure, meter will flash "ER 4" and abort the tuning. You have to restart the procedure.

Note

"TUNE" will be active if your meter has analog output capabilities.

3. Press the ►/DEV button. Verify that blinking value is zero. If blinking value is not zero, repeat step 2.

SECTION 22. DISPLAY MESSAGES

Table 22-1. Display Messages

MESSAGE	DESCRIPTION
RST	Hard (power on) Reset
INPT	Input Type
DEC.P	Decimal Point
RD.CF	Reading Configuration
S1.CF	Setpoint 1 Configuration
S2.CF	Setpoint 2 Configuration
S1.DB	Setpoint 1 Deadband
S2.DB	Setpoint 2 Deadband
OT.CF	Output Configuration
P.BND	Proportional Band
M.RST	Manual Reset
OT.S.O	Output Scale and Offset
C.J.OF	Cold Junction Offset
LK.CF	Lock out Configuration
TUNE	Tuning Proportional Controller
OPN	Sensor Breaker or Temperature Outside the Range
9999	Value Overflow in Setpoint/Menu Peak Deviation Routine
-1999	Value Overflow in Setpoint/Menu Peak Deviation Routine
ER1	2 Coordinate Format Programming Error
PEAK	Peak Value
PK.RS	Peak Reset
SP.RS	Reset Setpoints
SP1	Setpoint 1 Value
SP2	Setpoint 2 Value
ER2	One or more the following items have overflowed because of decimal point change: setpoint values, setpoint deadbands, proportional bands or manual reset.

SECTION 23. MENU CONFIGURATION

Not all menu items display on standard meters.

Table 23-1. Configuration Menu

(Defaults in Bold and Italics)

MENU	▶/DEV	▲/MAX
INPT Input Type	Show input choices:	J.TC Iron vs. Constantan (NIST) <i>K.TC Chromel vs. Alumel (NIST)</i> DJ.TC Iron vs. Copper (DIN) T.TC Copper vs. Copper-Nickel
DEC.P Decimal Point	Show decimal point position	<i>FFFF.</i> FFF.F
RD.CF Reading Configuration	R.1	C: Celsius <i>F: Fahrenheit</i>
S1.CF Setpoint 1 Configuration	S.1	<i>A: Active above</i> B: Active below
	S.2	<i>U: Unlatched</i> L: Latched
S2.CF Setpoint 2 Configuration	S.1	<i>A: Active above</i> B: Active below
	S.2	<i>U: Unlatched</i> L: Latched
S1.DB Setpoint 1 Deadband	Scroll right one digit	Change flashing digit's value
S2.DB Setpoint 2 Deadband	Scroll right one digit	Change flashing digit's value

SECTION 23. MENU CONFIGURATION (Continued)

Table 23-1. Configuration Menu (Continued)

(Defaults in Bold and Italics)

MENU	▶/DEV	▲/MAX
<p>OT.CF Output Configuration Analog Output</p>	<p>0.1</p> <p>0.2</p> <p>0.3</p> <p>0.4</p> <p>0.5</p>	<p>D: Disabled <i>E: Enabled</i></p> <p>V: Voltage analog out <i>C: Current analog out</i></p> <p><i>A: Retransmission of temperature</i> P: Proportional to error</p> <p>D: Proportional analog output is direct reading R: Proportional analog output is reverse acting</p> <p>F: 0-10 V proportional H: 0-5 V proportional</p>
<p>Notes: *If you select 0.2=V, you may select your analog output to be 0-10 V or 0-5V by accessing sub-menu 0.5=F or 0.5=H</p> <p>*If 0.3=P, you may select your proportional output analog to be direct 0.4=D (4-20 mA), (0-5V), (0-10v) or reverse acting 0.4=R (20-4 mA), (5V-0V), (10V-0V) .</p>		
<p>P.BND Proportional Band</p>	<p>Show prior value entered</p>	<p>Change flashing digit's value</p>
<p>M.RST Manual Reset</p>	<p>Show prior value entered</p>	<p>Change flashing digit's value</p>

SECTION 23. MENU CONFIGURATION (Continued)

Table 23-1. Configuration Menu (Continued)

(Defaults in Bold and Italics)

MENU	▶/DEV	▲/MAX
<p>OT.S.O Output Scale & Offset</p> <p>Enter new value & show "OUT1"</p> <p>Enter new value & show "RD 2"</p> <p>Enter new value & show "OUT2"</p>	<p>Show "RD 1" & prior value</p> <p>Scroll right one digit</p> <p>Show prior value</p> <p>Scroll right one digit</p> <p>Show prior value</p> <p>Scroll right one digit</p> <p>Show prior value</p>	<p>Change flashing digit's value</p> <p>Change flashing digit's value</p> <p>Change flashing digit's value</p> <p>Change flashing digit's value</p>
<p>C.J.OF Cold Junction Offset</p>	<p>Show actual or prior value</p>	<p>Change flashing digit's value (°C only)</p>
<p>LK.CF Lock Out Configuration</p>	<p>RS=</p> <p>SP=</p> <p>L3=</p>	<p><i>E</i> (<i>Enable RESET button in run mode</i>) <i>D</i> (<i>Disable RESET button in run mode</i>)</p> <p><i>E</i> (<i>Enable setpoint changes</i>) <i>D</i> (<i>Disable setpoint changes</i>)</p> <p><i>0</i> (<i>SETPTS button display setpoint values</i>) <i>1</i> (<i>SETPTS button display software "v.-03" version</i>)</p>

SECTION 23. MENU CONFIGURATION (Continued)

Table 23-2. Run Mode Displays

DISPLAY	▶/DEV	▲/MAX	RESET	DESCRIPTION
PEAK Peak Reading		Shows peak reading. Press again to return to the normal operating mode without resetting.	Reset peak reading when in this mode.	Shows highest reading since last reset
DEV	Press to activate		Tare proportional controller or exit deviation mode	Shows deviation value.
SP.RS				<p>LATCHED RESET</p> <p>Press RESET button to reset your setpoints.</p> <p>WARNING! This resets your tare if you are using this mode.</p>

SECTION 24. SETPOINT CONFIGURATION DISPLAYS

Table 24-1. Setpoint Configuration Displays

MENU	▶/DEV	▲/MAX	DESCRIPTION
SP 1 Setpoint 1	Scroll right one digit	Change the flashing digit's value	Select from -1999 through 9999
SP 2 Setpoint 2	Scroll right one digit	Change the flashing digit's value	Select from -1999 through 9999

SECTION 25. SPECIFICATIONS

SIGNAL INPUT

Thermocouple Types	J - Iron vs. Constantan (NIST)
Temperature Ranges	-210° through 760°C (-346° through 1400°F)
	K - Chromel vs. Alumel (NIST) -270° through 1372°C (-454° through 2500°F)
	DIN J - Iron vs. Constantan (DIN) -200° through 900°C (-328° through 1652°F)
	T - Copper vs. Copper-Nickel -270° through 400°C (-454° through 752°F)
Isolation	Dielectric strength to 2500V transient per 3mm spacing based on EN 61010 for 260Vrms or dc working voltage NMR- 60 dB CMR- 120 dB
Protection	240 V rms max for voltage input ranges 200 mA for current input ranges
Display Symbols	LED 14 segment, 13.8 mm (0.54") BBBB

ANALOG TO DIGITAL

Technique	Dual slope
Internal Resolution	15 bits
Read Rate	3/sec Polarity Automatic

SECTION 25. SPECIFICATIONS (Continued)

ACCURACY AT 25°C	±0.5°C
Temperature Stability	0.05°C/°C
Step Response Time	1-2 seconds
Warm Up to Rated Accuracy	30 min

ANALOG OUTPUT (if applicable)

Signal type	Current or voltage
Signal Level Current	10 V max compliance at 20 mA output
Signal Level Voltage	20 mA max for 0-10 V output
Function	May be assigned to a display range or proportional control output with setpoint #1 when used as a control output.
Linearity	0.2%
Step Response Time	2-3 seconds to 99% of the final value

ISOLATED ANALOG OUTPUT (if applicable)

Same as non-isolated analog output except isolated to 1000 Vdc.

Signal type	Current or voltage
Signal Level	
Current:	10 V max compliance at 20 mA output
Voltage:	20 mA max for 0-10 V output
Function	May be assigned to a display range or proportional control output with setpoint #1 when used as a control output.
Linearity	0.2%
Step Response Time	2 - 3 seconds to 99% of the final value

Only one analog output is available on each unit and it must be factory installed.

SECTION 25. SPECIFICATIONS (Continued)

INPUT POWER INFORMATION

Voltage	~AC	115 V/230 V rms \pm 15%
	=DC	9.5 to 32 Vdc
Frequency		50-60 Hz
Power		6 watts

ENVIRONMENT

Operating Temperature:		0 to 50°C (115/230 V rms \pm 15%)
Storage Temperature:		-40° to 85°C
Relative Humidity:		90% at 40°C (non-condensing)

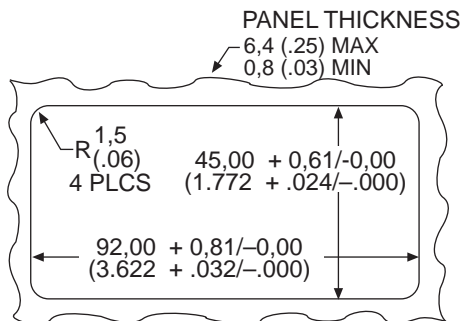
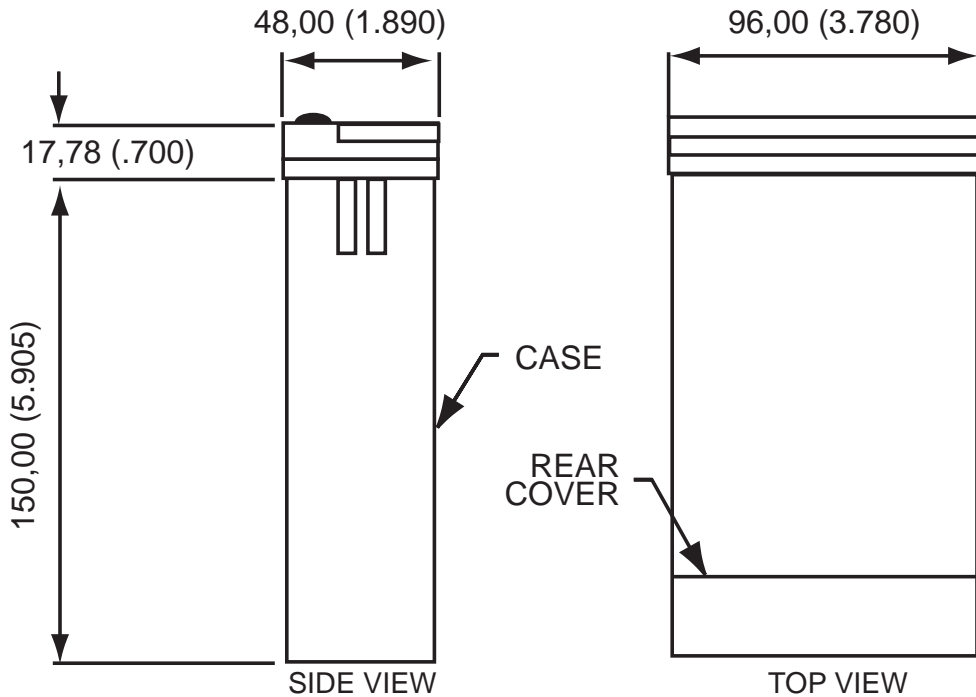
MECHANICAL

Panel Cutout:		1/8 DIN 3.62 x 1.77" (92 x 45mm)
Weight:		1.27 lb (574 g)
Case Material:		Polycarbonate, 94 V-0 UL rated

ALARM OUTPUTS (if applicable)

		2 Form "C" on/off relays. Configurable for latched and unlatched by software.
Max Current:		5 AMPS
Max Voltage:		250 V ac or 30 V dc

SECTION 25. SPECIFICATIONS (Continued)



NOTE: Dimensions in Millimeters (Inches)

Figure 25-1 Meter Dimensions

SECTION 26. FACTORY PRESET VALUES

Table 26-1. Factory Preset Values

MENU ITEM	FACTORY PRESET VALUES
INPT	Input Type: K.TC (Type K T/C)
DEC.P	Decimal Point Position: FFFF.
RD.CF	Reading Configuration: R.1=F (Fahrenheit)
S1.CF	Setpoint 1 Configuration: S.1=A (Setpoint is active above) S.2=U (Setpoint is unlatched)
S2.CF	Setpoint 2 Configuration: S.1=A (Setpoint is active above) S.2=U (Setpoint is unlatched)
S1.DB	Setpoint 1 Deadband: 0003
S2.DB	Setpoint 2 Deadband: 0003
OT.CF	Output Configuration: O.1=E (Analog output is enabled) O.2=C (Analog output is current) O.3=A (Analog output follows the display value)
OT.S.O	Output Scale and Offset: 0-1000 = 4-20 mA dc
LK.CF	Lock Out Configuration RS=E (Enable the RESET button in the run mode) SP=E (Enable setpoint changes) L3=0 (SETPTS button display setpoint values)
SP1	Setpoint 1 Value: 0000
SP2	Setpoint 2 Value: 0000